

MEET

INSTALLER MANUAL
DOOR RELAY MODULE REF. 1490

FERMAX

INSTALLER MANUAL








CONGRATULATIONS FOR BUYING A QUALITY PRODUCT!

Fermax Electrónica develops and manufactures premium equipment that meets the highest design and technology standards. We hope you will enjoy all its features.

Technical publication for information purposes edited by FERMAX ELECTRÓNICA S.A.U.

FERMAX ELECTRÓNICA applies a continuous improvement policy, therefore it reserves the right to modify the contents of this document, as well as the product features hereof at any time and without prior notice. Any modification will be reflected in subsequent editions of this document.

CONTENTS

	1. DESCRIPTION	4
	2. USAGE	5
	3. INSTALLATION DIAGRAMS	6
	4. CONFIGURATION	8
	5. TECHNICAL SPECIFICATIONS	8

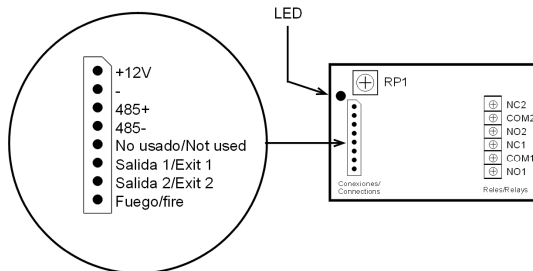


DESCRIPTION

The EXTERIOR DOOR RELEASE RELAY module Ref. 1490 is an optional device for MEET outdoor panels. There are 2 relays: RELAY 1, for use with all MEET panels, and RELAY 2, only for use with MILO 1L panels. See section 2. USAGE later.



CONEXIONES



- **12 V, -** : 12 Vdc power input
- **485+, 485-**: RS-485 connection to the outdoor panel.
- **Output 1**: Pushbutton input for activating relay 1.
- **Output 2**: Pushbutton input for activating relay 2.
- **Fire**: Push button input for simultaneous activation of relay 1 and relay 2.
- **NC1, COM1, NO1**: Relay 1 output contacts .
- **NC2, COM2, NO2**: Relay 2 output contacts.
- **RP1**: Adjusting the timing of the relays (SEE NOTE).

NOTE:

To adjust the timing of the relays, move RP1 all the way to the left then turn it gradually to the right. Once you've finished rotating, the LED will blink several times, according to the time set. The more blink, the longer the time.

Do not leave the potentiometer turned all the way to the left.

 **USAGE**

The EXTERNAL DOOR RELEASE RELAY module Ref. 1490 is used as an optional accessory for the MEET outdoor panels, offering the following functions:

MILO 1L PANELS



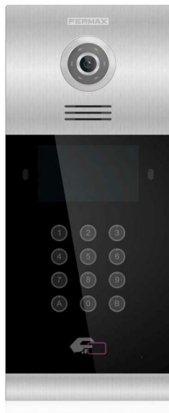
SAFETY RELAY

It prevents the door being opened by sabotaging the outdoor panel to access the lock release cables, as the cables come out of this module (installed inside the house or in a protected place) instead of the outdoor panel.

SECOND LOCK RELEASE ACTIVATION

Independent activation of RELAY 2 from the monitor in the home itself, to activate a second lock release (garage, gate, etc.).

MILO DIGITAL, KIN AND MARINE MEET OUTDOOR PANELS



SAFETY RELAY

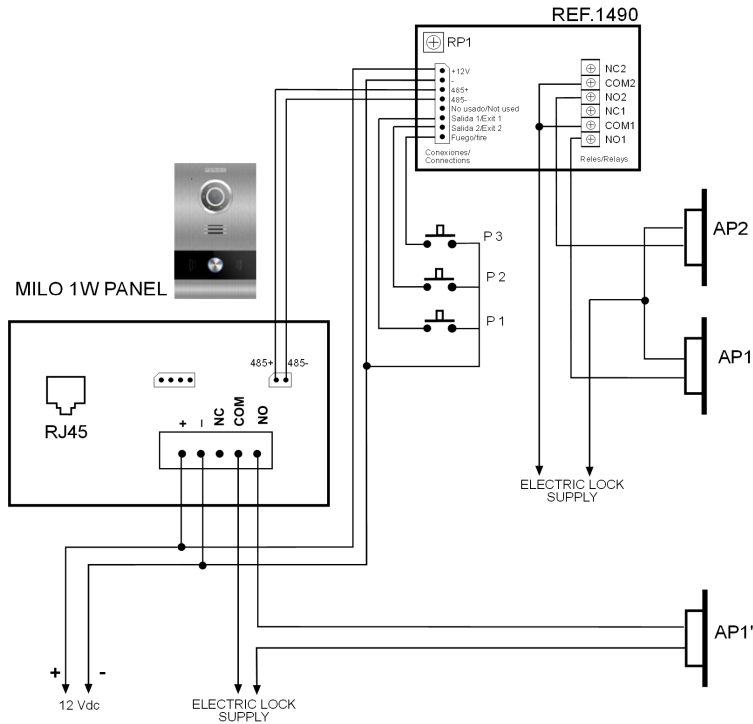
It prevents the door being opened by sabotaging the outdoor panel to access the lock release cables, as the cables come out of this module (installed inside or in a protected place) instead of the outdoor panel.

In panel versions V3.0 onwards, it is possible to configure the panel to disable its door release button input from inside, thus increasing security.

STALLATION DIAGRAMS

MILO 1L PANELS

This diagram shows how to use the Ref 1490 module as a SAFETY RELAY (AP1) and as a SECOND LOCK RELEASE ACTIVATION (AP2).



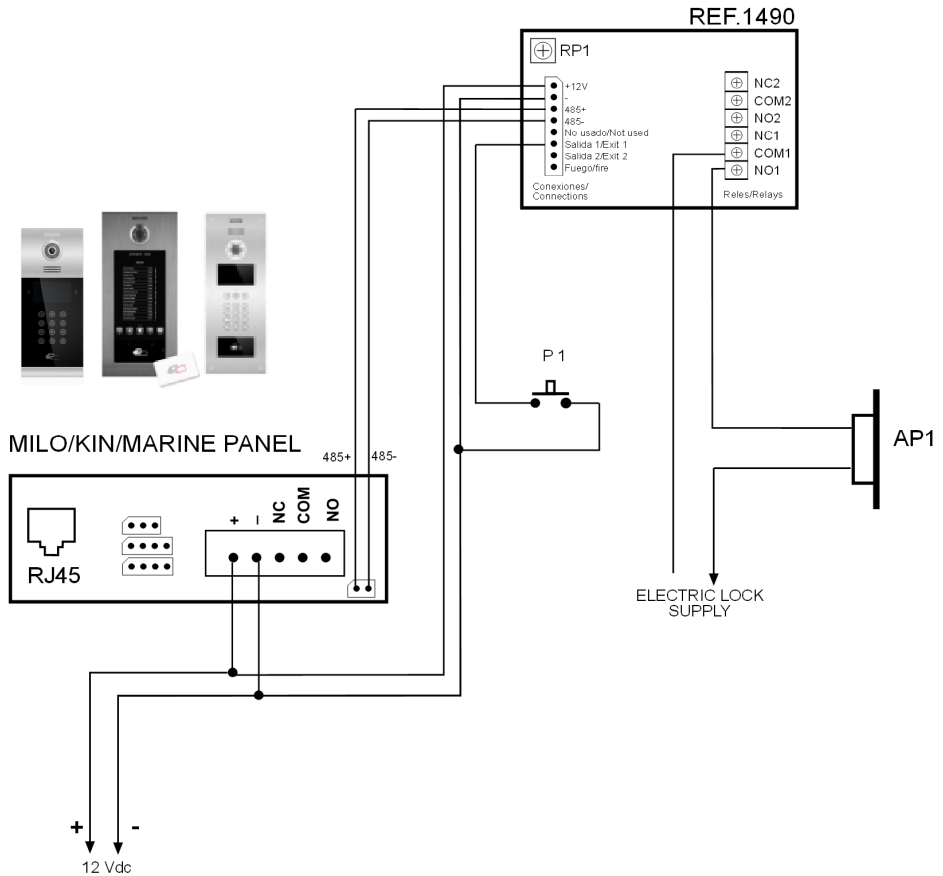
- **AP1'**: Main lock release (activated from the outdoor panel).
- **AP1**: Main lock release (activated from the module REF. 1490).
- **AP2**: Second lock release (activated from the module REF. 1490).
- **P1**: Direct activation of the AP1 lock release.
- **P2**: Direct activation of the AP2 lock release.
- **P3**: Simultaneous direct activation of the AP1 and AP2 lock releases.

NOTES:

- This diagram corresponds to outdoor panel version V2.02 and onwards.
- The outputs for AP1 and AP1' (main lock releases) act simultaneously.
- To use the SAFETY RELAY, connect the main lock release as AP1.
- To use the SECOND LOCK RELEASE ACTIVATIONS, connect the main lock release as AP1' (or as AP1 if the SAFETY RELAY function is also required) and the secondary lock release as AP2.
- Run the AP1 connection cables through a protective conduit, separate from the outdoor panel cables.

DIGITAL MILO, KIN AND MEET MARINE OUTDOOR PANELS

This diagram shows how to use the Ref. 1490 module as a SAFETY RELAY.



- **AP1:** Output for the main lock release.
- **P1:** Direct activation of the AP1 lock release

NOTES:

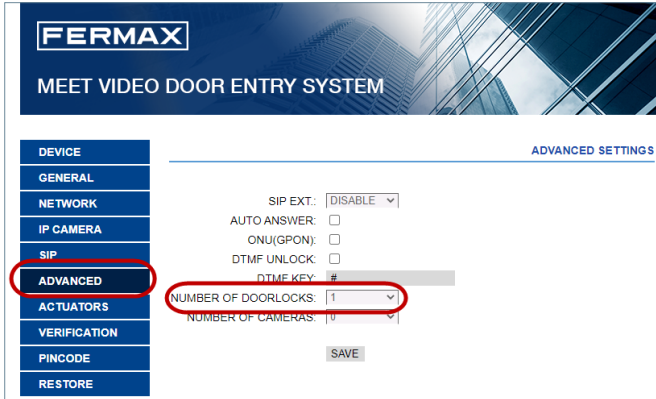
- This diagram corresponds to outdoor panel version V2.11 and onwards.
- Run the AP1 connection cables through a protective conduit, separate from the outdoor panel cables.



CONFIGURATION

If RELAY 2 of the module is being used to activate the second lock release in installations with a 1 L outdoor panel, each of the monitors being used to activate said relay will need to be configured accordingly.

They can be programmed through the monitor's web server, accessed from a computer with an internet browser. See the monitor INSTALLATION MANUAL for more details.



1. Access the ADVANCED section.

2. Select 1, from the drop-down list NO. OF LOCK RELEASES.



TECHNICAL SPECIFICATIONS

Dimensions (mm)	114,5x57,5x34
Power supply	12 Vdc
Power consumption	1W
Características ambientales	
Working temperature	-40°C ~ 70°C
Relative humidity	20-80% sin condensación



Avd. Tres Cruces, 133
46017 Valencia
Spain

For extended information, visit www.fermax.com

Contact: tec@fermax.com / www.fermax.com/contact

