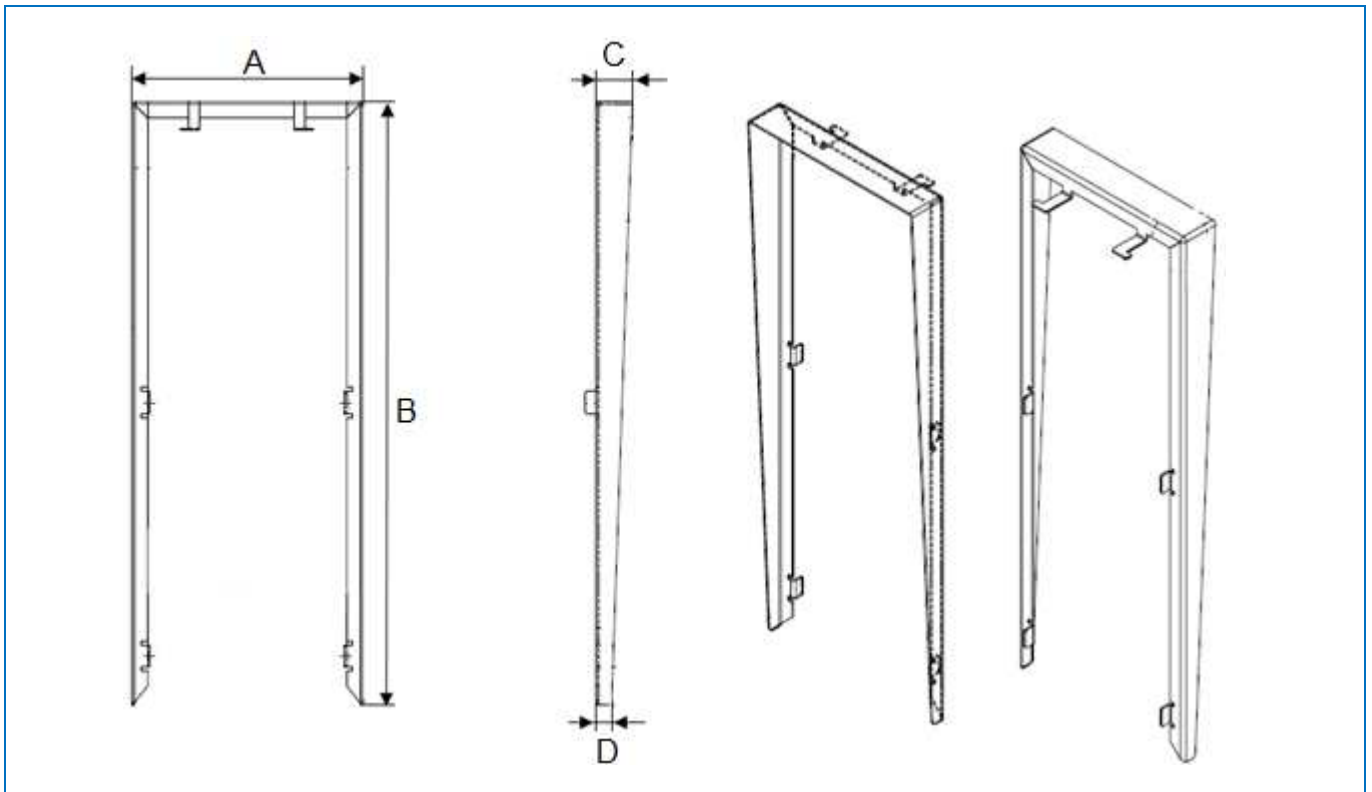


## HOODS FOR MEET PANELS



### REFERENCIAS

REF	DESCRIPTION	A	B	C	D
1457	HOOD FOR MARINE PANEL	159 mm	414 mm	25 mm	11 mm
9515	DOUBLE HOOD FOR MARINE PANEL	314 mm	414 mm	25 mm	11 mm
9513	HOOD FOR KIN PANEL	190 mm	406 mm	53 mm	9 mm
9512	HOOD FOR MILO DIGITAL PANEL	160 mm	381 mm	50 mm	9 mm
9511	HOOD FOR 1W MILO PANEL	123 mm	185 mm	50 mm	9 mm

### CARACTERISTICAS

- Acero inoxidable 316L
- 1,5 mm de grosor